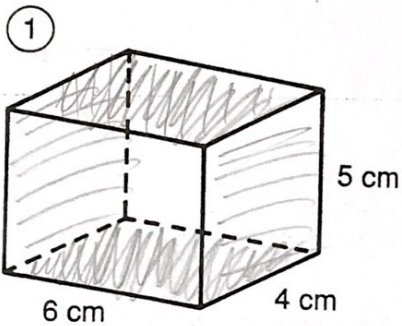


Name Key
Date _____ Period Mle

Surface Area of Rectangular Prisms.

Find the surface area of each figure.

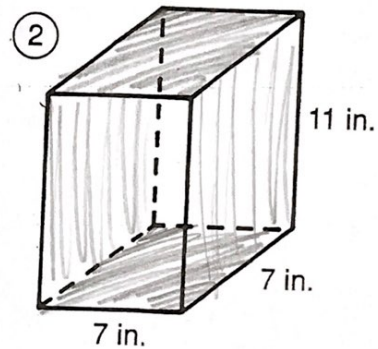


~~|||||~~ $6 \times 4 \times 2 = 48$

~~====~~ $4 \times 5 \times 2 = 40$

white $6 \times 5 \times 2 = 60$

$$SA = 148 \text{ cm}^2$$



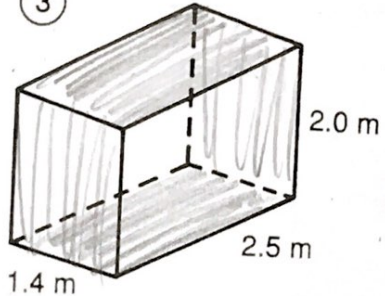
~~====~~ $7 \times 7 \times 2 = 98$

~~|||||~~ $7 \times 11 \times 2 = 154$

white $7 \times 11 \times 2 = 154$

$$SA = 406 \text{ in.}^2$$

3



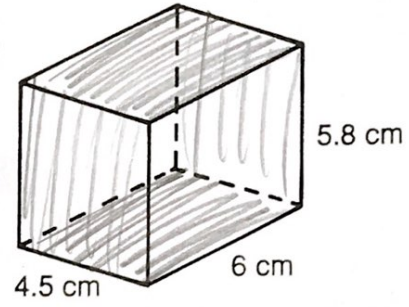
~~SA = 1.4 x 2.5 x 2 = 7~~

||| 1.4 x 2 x 2 = 5.6

white 2.5 x 2 x 2 = 10

SA = 22.6 m²

4



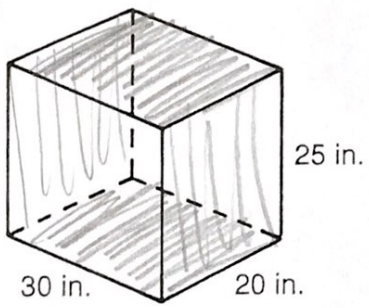
~~SA = 4.5 x 6 x 2 = 54~~

||| 4.5 x 5.8 x 2 = 52.2

white 6 x 5.8 x 2 = 69.6

SA = 175.8 cm²

5



SA = ~~30 x 20 x 2 = 1200~~

||| 20 x 25 x 2 = 1000

white 30 x 25 x 2 = 1500

SA = 3,700 in.²