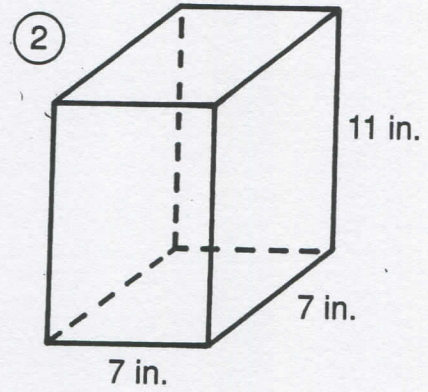
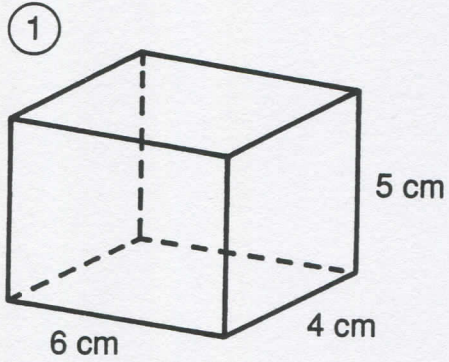


Name \_\_\_\_\_  
Date \_\_\_\_\_ Period \_\_\_\_\_

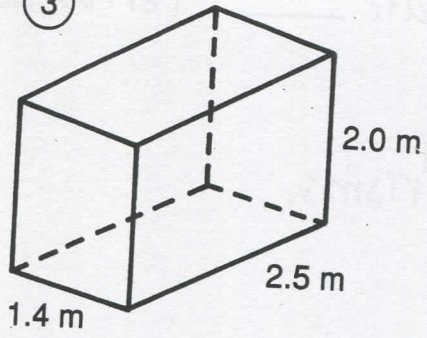
# Surface Area of Rectangular Prisms.

Find the surface area of each figure.

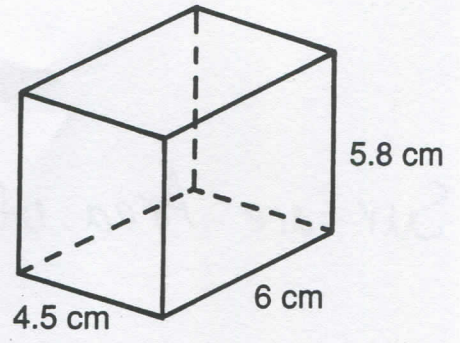




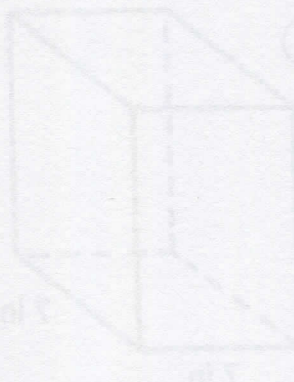
3



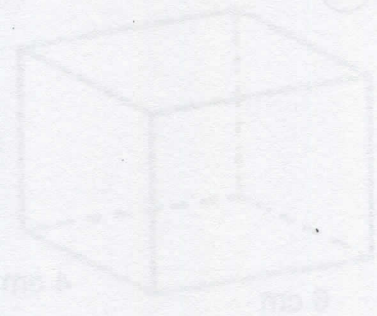
4



5



6



5

