

NAME : _____

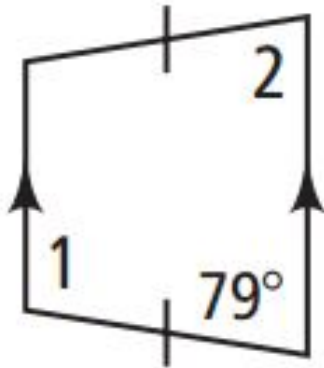
CLASS : _____

DATE : _____

Homework 4.2 due Mon, 12/7 *3 problems require work*

15 Questions

1.



In the trapezoid, find the measure of $\angle 1$:

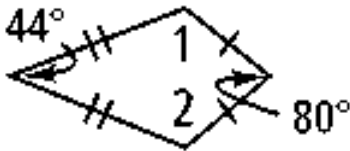
a) 79°

b) 101°

c) 72°

d) 180°

2.



In the kite, solve for the measures of Angle 1 and Angle 2.

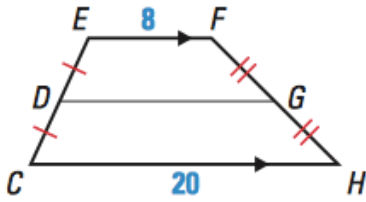
a) angle 1 = 92, angle 2 = 46 degrees

b) angle 1 = 118, angle 2 = 118 degrees

c) angle 1 = 92, angle 2 = 92

d) angle 1 = 136, angle 2 = 100

3.



Find the measure of DG.

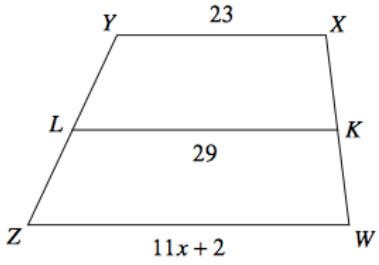
a) 14

b) 28

c) 12

d) 16

4.



Find the value of x **WORK REQUIRED**

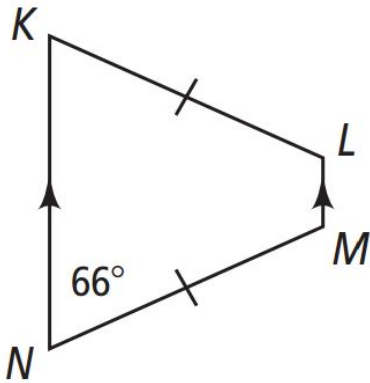
a) 35

b) 3

c) 33

d) None of these

5.



In the trapezoid, find the measure of $\angle K$:

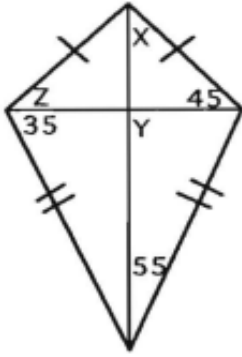
a) 114°

b) 124°

c) 77°

d) 66°

6.



In the kite, what is the value of x ?

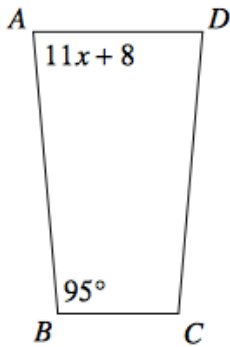
a) 35

b) 45

c) 55

d) 90

7.



In trapezoid ADCB, $AD \parallel BC$. Solve for x **WORK REQUIRED**

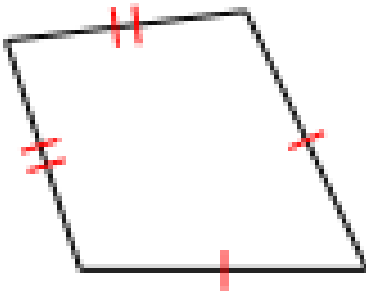
a) 7

b) 8

c) 85

d) None of these

8.



What is the correct name for the shape?

a) Rhombus

b) Trapezoid

c) Kite

d) Rectangle

9. A trapezoid is a quadrilateral with exactly one pair of ____ sides.

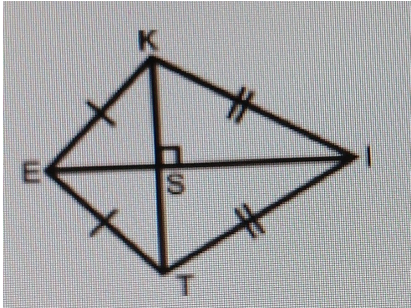
a) parallel

b) congruent

c) perpendicular

d) skew

10.



In kite KITE, $KE = 8$, $KT = 12$. What is the measure of ES ? **WORK REQUIRED**

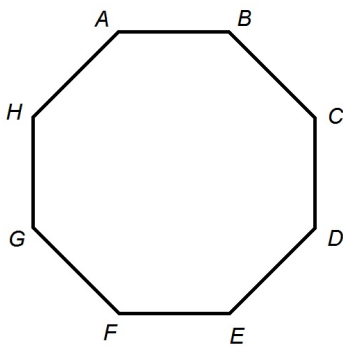
a) 10

b) 5.3

c) 14.4

d) 2

11.



If octagon ABCDEFGH is regular, what are each of the interior angle measures?

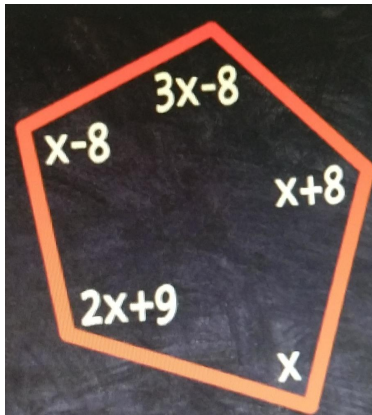
a) 60

b) 120

c) 180

d) 135

12.



Solve for x **WORK REQUIRED**

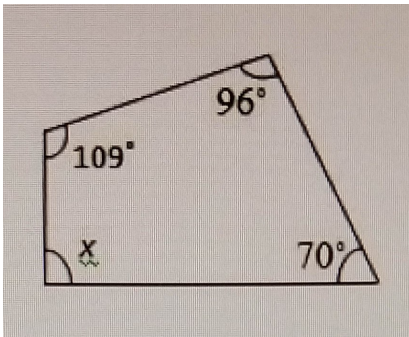
a) 44.9

b) 67.4

c) 77

d) 67.6

13.



Solve for x

a) 71

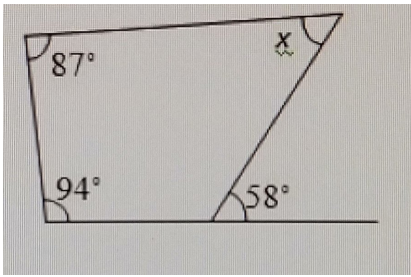
b) 96

c) 85

d) 110

14. The formula to determine the sum of interior angles is

15.



Which are true? mark all that apply

a) The polygon is a quadrilateral

c) $x = 57$

e) The interior angles of this polygon total 360 degrees

b) $x = 58$

d) The polygon is a pentagon