

## Homework 6.2 due Mon 2/15 \*4 Problems Require Work\*

8 Questions

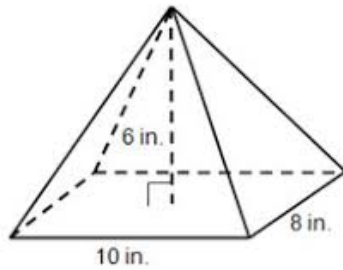
NAME : \_\_\_\_\_

CLASS : \_\_\_\_\_

DATE : \_\_\_\_\_

1.

WORK REQUIRED Find the Volume



a)  $480 \text{ in}^3$

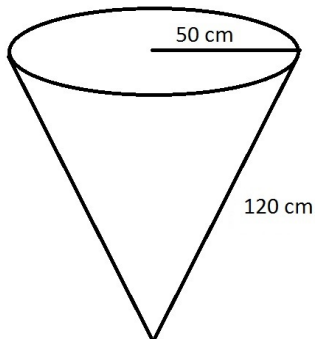
b)  $160 \text{ in}^3$

c) 24 cubic inches

d) 120 cubic inches

2.

Assume the height is 120 cm, find the volume. Use 3.14 for  $\pi$  and round to the nearest whole number.



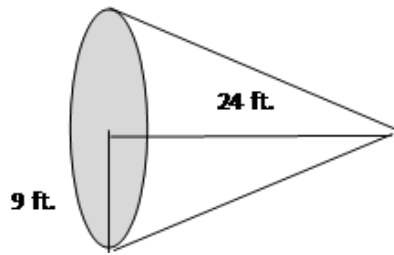
a) 300000 cubic cm

b) 314000 cubic cm

c) 942000 cubic cm

d) 6000 cubic cm

3.



WORK REQUIRED

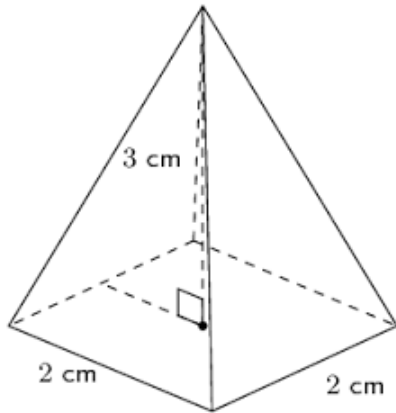
Find the volume, leave  $\pi$  in your answer, and disregard units

a)  $1944 \pi$

b)  $648 \pi$

c)  $2,036 \pi$

4.



Find the volume of the square pyramid

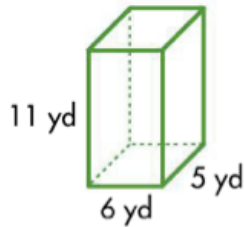
a)  $12 \text{ cm}^3$

b)  $12 \text{ cm}^2$

c)  $4 \text{ cm}^3$

5.

Find the volume.



WORK REQUIRED

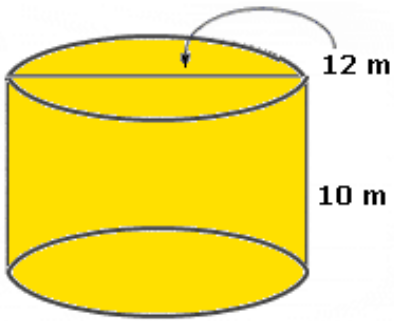
a) 55 cubic yards

b) 22 cubic yards

c) 121 cubic yards

d) 330 cubic yards

6. **WORK REQUIRED**  
If the diameter is 12, find the volume and leave your answer in terms of  $\pi$



a)  $120\pi$

b)  $360\pi$

c)  $1440\pi$

d)  $1130\pi$

7. **Find the volume.** Given that the image is a cube and all choices are cubic mm



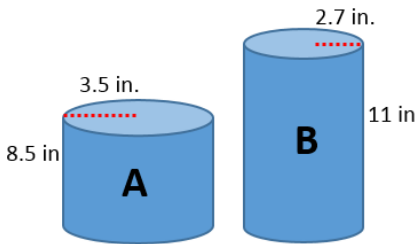
a) 45

b) 3375

c) 225

d) 15

8. Determine the volume of each cylinder and choose the statement that is correct



a) Volume A is greater than Volume B

b) Volume A is equal to Volume B

c) Volume A is less than Volume B